

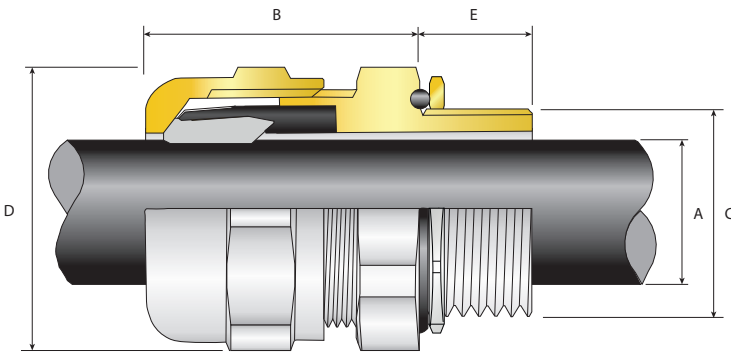
TRUSEAL TSM INDUSTRIAL, METALLIC CABLE GLAND

FOR ALL TYPES OF UNARMoured CABLE

- Finger-locking seal provides superior cable retention and strain relief
- 3rd party certified to IEC/EN 62444
- Widest cable range take for any comparable cable gland
- Easy to install
- Robust design, high quality materials
- O-ring interface seal included as standard
- Transit disc or IP68, IP69 and IP69K rated IP plug options available
- Product supplied in nickel-plated brass, or stainless steel on request
- Locknut supplied assembled



shown with standard seal



| TECHNICAL DATA | |
|----------------------------|--|
| DESIGN SPECIFICATION | IEC 62444, EN 62444 (EN Metric only) |
| MECHANICAL CLASSIFICATION* | Impact = Level 6, Cable Anchorage = Type A |
| ENCLOSURE PROTECTION | IK08 to IEC 62262 (7 joules) |
| INGRESS PROTECTION RATING | IP66, IP67, IP68**, IP69 & IP69K |
| CABLE GLAND MATERIAL | Nickel Plated Brass |
| SEAL MATERIAL | CMP SOLO LSF Halogen Free Thermoset Elastomer |
| CABLE TYPE | Unarmoured and Braided (Braid terminated inside enclosure) |
| SEALING TECHNIQUE | CMP Unique finger-locking type seal |
| SEALING AREA(S) | Cable Outer Sheath |

* Mechanical Classifications applied as per IEC 62444 and EN 62444
 ** IP68 tested to 300 kPa for 16 hours (equivalent to 30 metres water depth)

PRODUCT SELECTION TABLE WITH STANDARD SEALING RANGE

| ORDERING REFERENCE WITH LOCKNUT | AVAILABLE ENTRY THREADS 'C' | | OVERALL CABLE DIAMETER 'A' | | ACROSS FLATS 'D' | ACROSS CORNERS 'D' | SHROUD | PROTRUSION LENGTH 'B' |
|---------------------------------|-----------------------------|---------------------------------|----------------------------|------|------------------|--------------------|--------|-----------------------|
| | METRIC | LONG THREAD LENGTH (METRIC) 'E' | MIN | MAX | MAX | MAX | | |
| 12TSM2TNSL/A | M12 | 12.0 | 3.0 | 6.5 | 16.0 | 17.6 | - | 22.3 |
| 16STSM2TNSL/A | M16 | 12.0 | 3.0 | 7.0 | 20.0 | 22.0 | - | 23.6 |
| 16TSM2TNSL/A | M16 | 12.0 | 6.0 | 10.0 | 20.0 | 22.0 | - | 23.6 |
| 20STSM2TNSL/A | M20 | 12.0 | 5.0 | 10.0 | 24.0 | 26.4 | PVC04 | 26.7 |
| 20TSM2TNSL/A | M20 | 12.0 | 9.0 | 14.0 | 24.0 | 26.4 | PVC04 | 26.7 |
| 25STSM2TNSL/A | M25 | 12.0 | 9.0 | 15.5 | 30.0 | 33.0 | PVC06 | 32.0 |
| 25TSM2TNSL/A | M25 | 12.0 | 12.5 | 18.0 | 30.0 | 33.0 | PVC06 | 32.0 |
| 32STSM2TNSL/A | M32 | 12.0 | 12.5 | 19.0 | 39.0 | 42.9 | PVC10 | 37.8 |
| 32TSM2TNSL/A | M32 | 12.0 | 17.0 | 25.0 | 39.0 | 42.9 | PVC10 | 37.8 |
| 40STSM2TNSL/A | M40 | 15.0 | 19.0 | 27.0 | 50.0 | 55.0 | PVC13 | 44.7 |
| 40TSM2TNSL/A | M40 | 15.0 | 24.0 | 32.0 | 50.0 | 55.0 | PVC13 | 44.7 |
| 50STSM2TNSL/A | M50 | 15.0 | 22.0 | 32.0 | 57.0 | 62.7 | PVC16 | 48.7 |
| 50TSM2TNSL/A | M50 | 15.0 | 28.0 | 38.0 | 57.0 | 62.7 | PVC16 | 48.7 |
| 63STSM2TNSL/A | M63 | 15.0 | 28.0 | 39.0 | 68.0 | 74.8 | PVC19 | 52.2 |
| 63TSM2TNSL/A | M63 | 15.0 | 37.0 | 48.0 | 68.0 | 74.8 | PVC19 | 52.2 |

Dimensions are displayed in millimetres unless otherwise stated